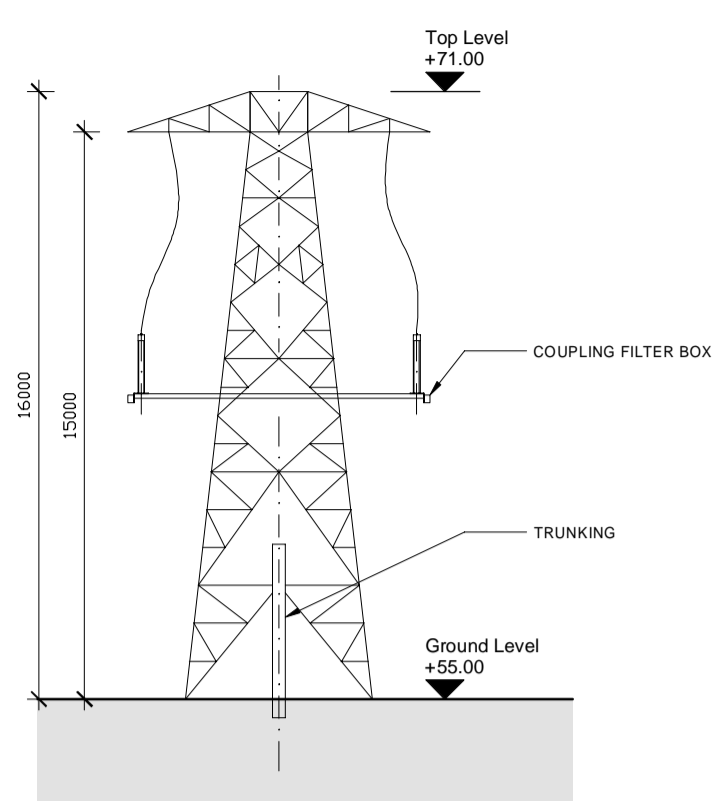
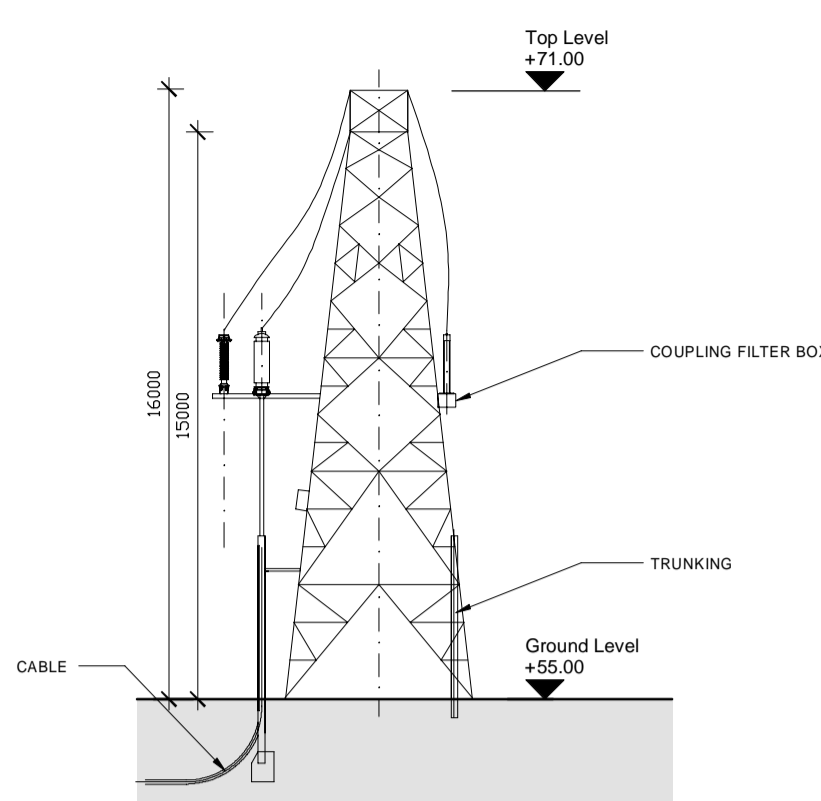


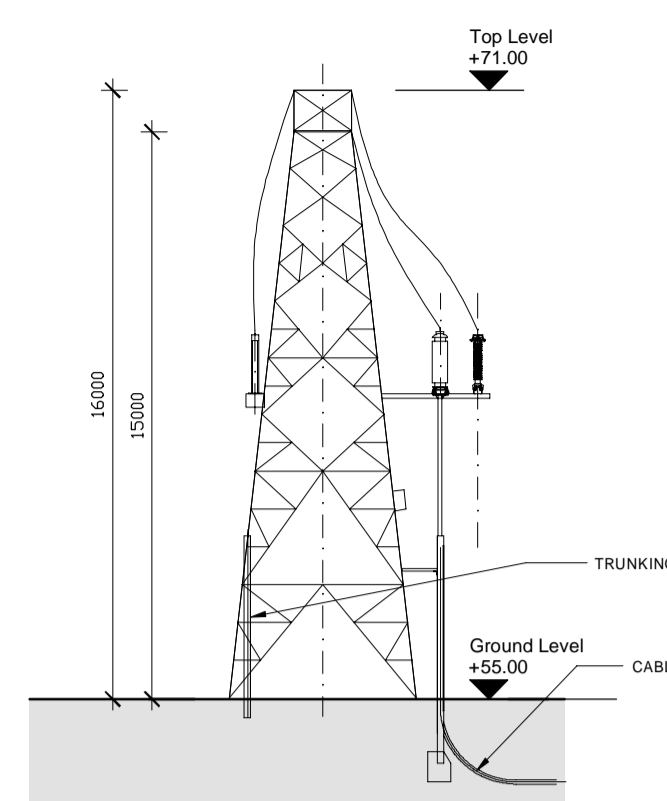
02 Tower 01 - South Elevation
scale 1:200



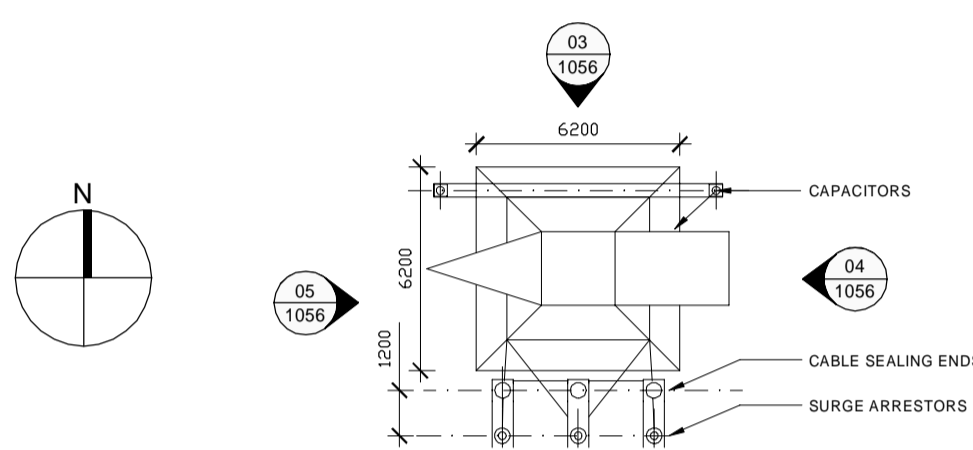
03 Tower 01 - North Elevation
scale 1:200



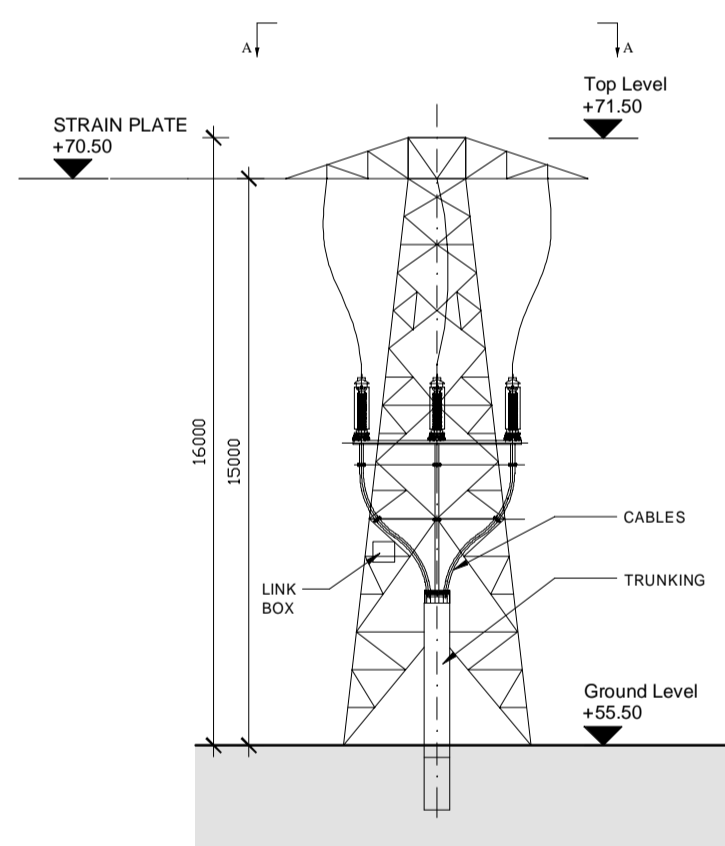
04 Tower 01 - East Elevation
scale 1:200



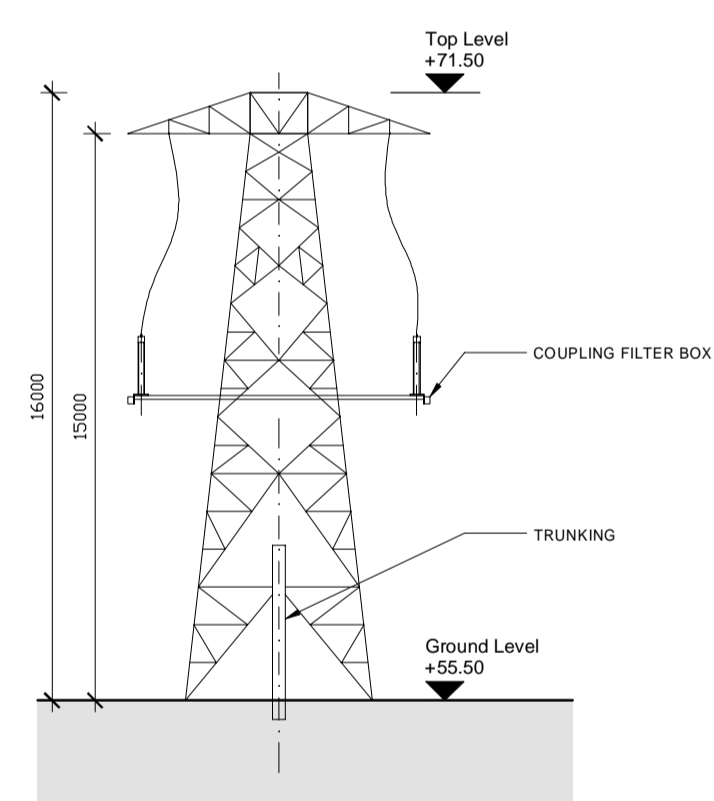
05 Tower 01 - West Elevation
scale 1:200



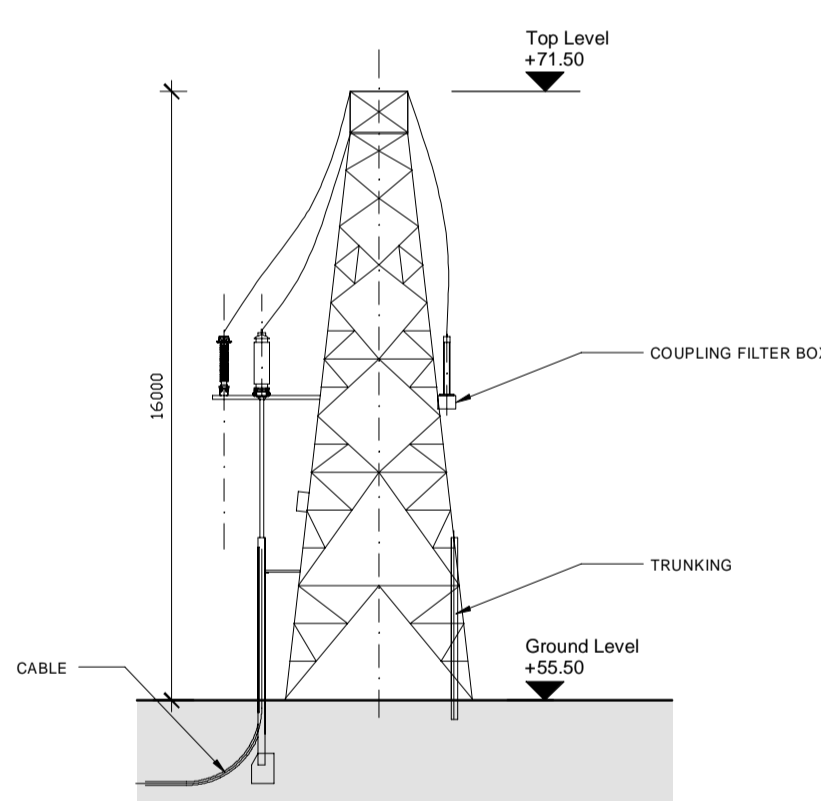
01 Tower 01 - Plan view A-A
scale 1:200



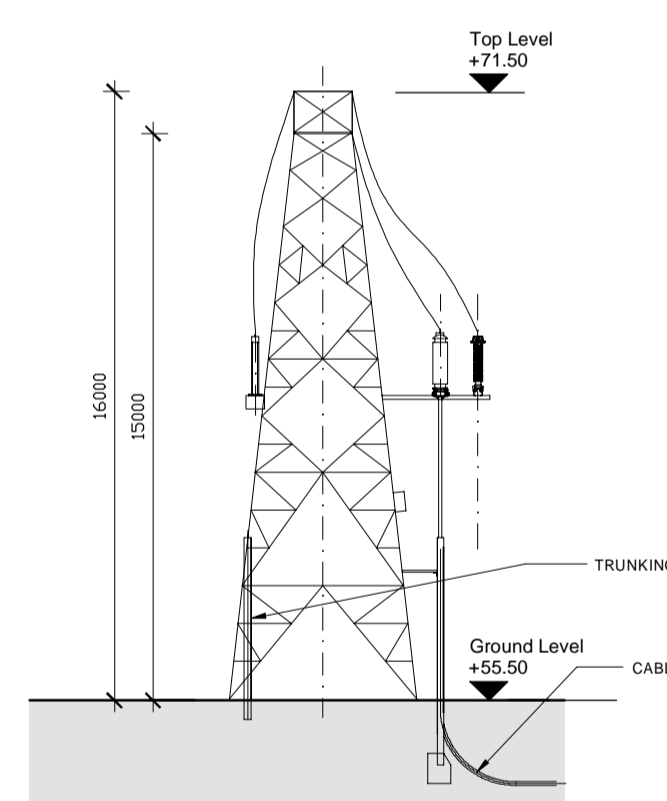
11 Tower 02 - North Elevation
scale 1:200



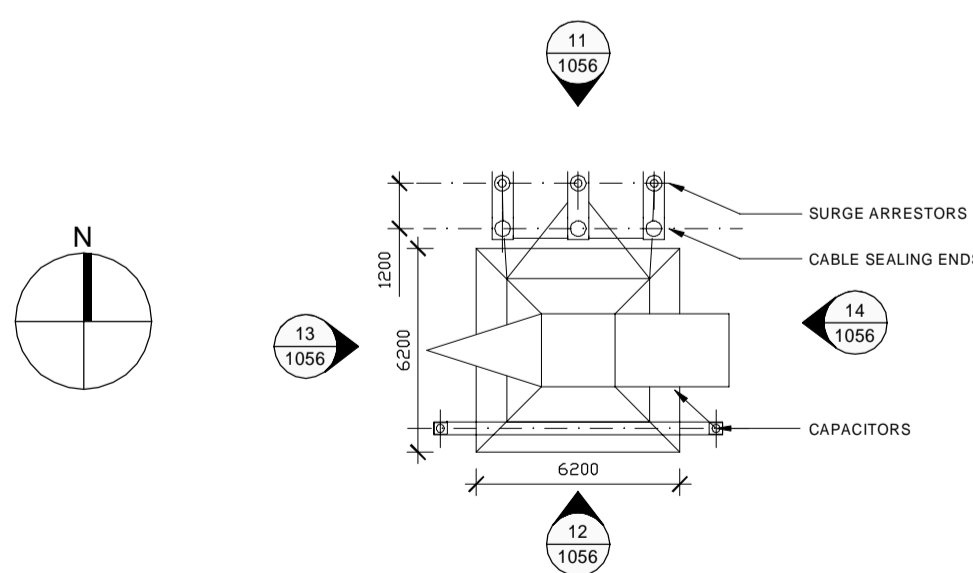
12 Tower 02 - South Elevation
scale 1:200



13 Tower 02 - West Elevation
scale 1:200



14 Tower 02 - East Elevation
scale 1:200



10 Tower 02 - Plan view A-A
scale 1:200



KEY PLAN - nts

NOTES:

Check all dimensions on site. Do not rely on scaled dimensions. This drawing must be read in conjunction with all relevant contract documents.

This drawing is the property of Michael Collins Associates Ltd. (trading as MCA Architects). The drawing shall not be copied, reproduced or otherwise used without the consent of Michael Collins Associates Ltd.

Rev	Date	Description	Drwn	Chkd	Rev	Date	Description	Drwn	Chkd
					P01	13.11.20	ISSUED FOR SUBMISSION	IJK	IJK

Architecture • Interior Design • Masterplanning • Project Management

MCA
ARCHITECTS

4 Hanover Wharf,
Asgard Road, Dublin 2,
Ireland. D02 HX39

+353 1 6760916
info@mca.ie
www.mca.ie

Client:	CAP DEVELOPMENTS LLC	Job No.:	2020.26
Project:	OLDBRIDGE 110KV SUBSTATION	Sheet:	A1
Drawing:	PROPOSED 110 KV TOWER ELEVATIONS	Scale:	1:200
Stage:	PLANNING	Status Code:	S5
Status:	FOR SUBMISSION	Drawing:	CAP - MCA - 01 - XX - DR - A - 1056

Revision:

P01